

SINGLE-AXIS FRICTION LOCK JOYSTICK

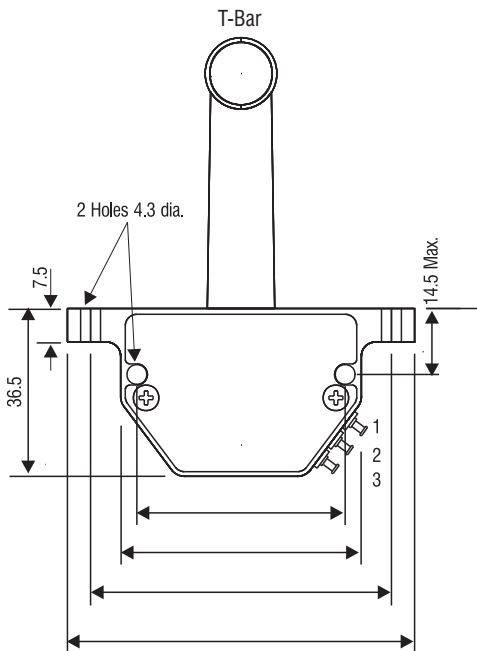


Developed for use in those applications where compact size and simplicity is important, the T-Bar is a single axis put and stay joystick that provides precise finger tip control.

Designed for use with electronic controllers, the conductive plastic track in

the T-Bar generates an analogue signal, proportional to the distance and direction over which the handle is moved.

Typical applications include remote control chest packs and material handling equipment.



All dimensions in mm

Mechanical

Operating Force	1.7 N	51mm above flange
Maximum Applied Force	16N across the lever	
Mechanical Angle of Movement	±31.5°	
Electrical Angle of Movement	±27.5°	
Expected Life (Operations)	1 million	
Mass	135g	

Environmental

Operating Temperature Range	0°C to + 50°C
Storage Temperature Range	-20°C to +70°C
Environmental Sealing Above the Flange	Not Sealed

Electrical General

Maximum Load Current	See Design Note in rear of Data Sheet
Maximum Power Dissipation	0.25W at 25°C

Analogue Track

Total Track Resistance	2k5Ω	±20%
Output Voltage Range	0% to 100%	
Center Tap	On Request	

Order Code

D460334	T-Bar with 0% to 100% Output Voltage Range
---------	--

Termination Details

Y-axis positive supply voltage	3
Y-axis output voltage signal	2
Y-axis negative or zero supply voltage	1