



Model EX46HP Explosion Proof Transducer

- Highest performance transducer over temperature. Zero thermal error/drift
- Units are individually calibrated from -40°C to 85°C for pressures ranging from 0-5" WC to 40,000 PSI
- 0.05% & 0.02% BFSL (STANDARD) – Contact Factory for other options
- 16 Point Calibration with Certificate (STANDARD)
- Unparalleled thermal stability from -40°C to 100°C
- Transducer maintains stated accuracy throughout entire temperature compensated range
- Duplicate any customer process and electrical connector for transparent replacement

Spectre's ZERO Drift High Performance Transducer is the world's only pressure transmitter that maintains performance over temperature by eliminating the largest sources of error:



Zero & Thermal Drift

FEATURES:

Proprietary Fused Bond Sensor

Sensor Wetted Material Machined from Stainless Steel Bar Stock (No Welds)

RFI/EMI Protection

Digital Correction for non-linearity and inaccuracies within the sensing element

Output Options: 4-20 mA, 0-5 V, 0-10 V (custom on request)

Suitable for high shock and vibration applications

<u>CERTIFICATIONS</u>	<u>STANDARDS</u>
Class I, Div. 1, Groups B, C, D	UL Standard 1203
Class II, Div. 2, Groups E, F, G	CSA Standard C22.2 NO. 30
Class III	FM Standard 3615
Type 4X; 7-B, C, D; 9-E, F, G	NEMA Compliance





Model EX46HP Explosion Proof Transducer

Ordering Guide: EX46HP-A-(0-100PSI)-4-D-05-ECExM-PB

A	(0-150)	2	D	05	ECEx	PB
PRESSURE PORT	RANGE ¹	TYPE	PRESSURE OUTPUT	ACCURACY (BFSL)	CONNECTOR	OPTIONS
A = 1/4" MNPT	PSI	1 = ABSOLUTE	D = 4-20 mA	05 = 0.05%	EC1 = 36" PIGTAIL	PB = PUSH BUTTON ZERO NO = NONE
B = SAE-4 MALE	BAR	2 = GAUGE	E = 0-5 VDC	02 = 0.02%	ECExF = 1/2" FNPT WITH TERMINAL STRIP	NO = NONE
C = OTHER	kPA	3 = VACUUM	F = 0-10 VDC		ECExM = 1/2" MNPT WITH TERMINAL STRIP	OPX = OTHER (SPECIFY)
E = F-250 C	INCHES WC	4 = SEALED	M = mV/V			
	TORR	5 = COMPOUND				
		6 = OTHER				

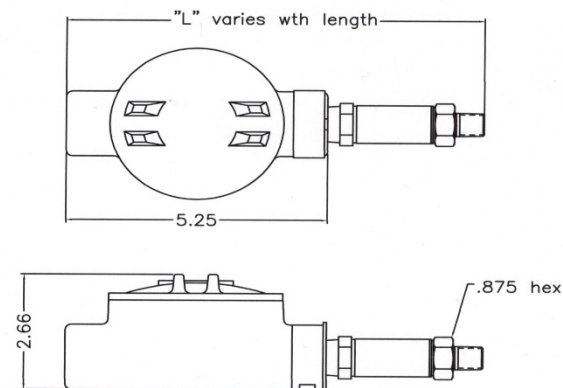
¹ OTHER RANGES AVAILABLE, CONSULT FACTORY

Performance @ 25 °C
Accuracy: $\pm 0.05\%$ BFSL to 0.02% BFSL
Stability: (2 year): $\pm 0.10\%$ FSO, Typical
Overpressure Protection: 2X Rated Pressure
Burst Pressure: 5X Minimum
Pressure Cycles: > 50 Million
Temperature Range: -40 °C to 100 °C
Response: ≤ 2 ms to 90%

Environmental Data
Temperature
Operating: -40 °C to 85 °C
Storage: -50 °C to 125 °C
Thermal Limits
Compensated Range: -40 °C to 85 °C
Thermal Effect Zero: Negligible ²
Thermal Effect Span: Negligible ²

Electrical Data
Excitation: 13-36 VDC
Current Consumption: <math>< 5</math> mA
Zero Offset: $\leq \pm 0.1\%$ of FS
Span Tolerance: $\leq \pm 0.1\%$ of FS
Output Load: > 10K Ω

REFERENCE DIMENSIONS:



Physical Data
Sensor
Wetted Material: 316 SS
Housing: 316 SS
Connections
Pressure: 1/4" MNPT, SAE-4, F-250 C

² THERMAL CHANGES WILL NOT AFFECT OVERALL ACCURACY

Spectre Corp
7912 Root Road
Suite C/D
North Ridgeville, Ohio 44039



www.SpectreCorp.com
Phone: (440) 250-0616
Fax: (440) 353-0269
E-Mail: info@spectresensors.com