

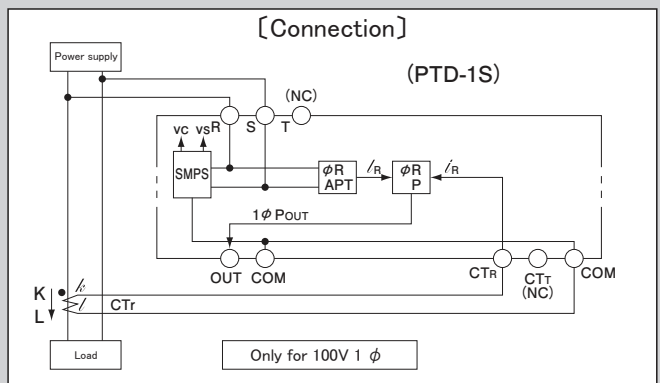
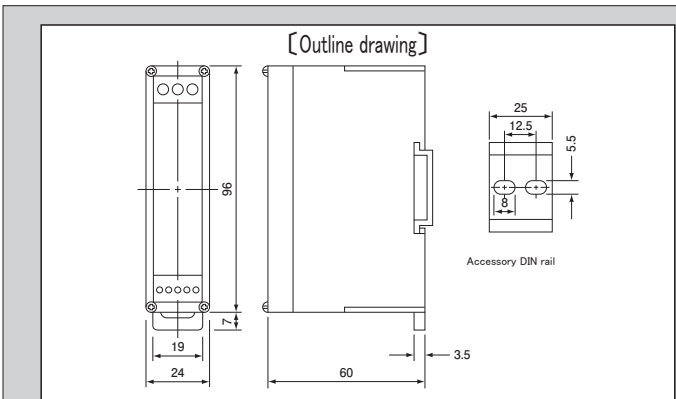
Generic power transducer

Build in super small PT, small power transducer with combination of choice of applied CT



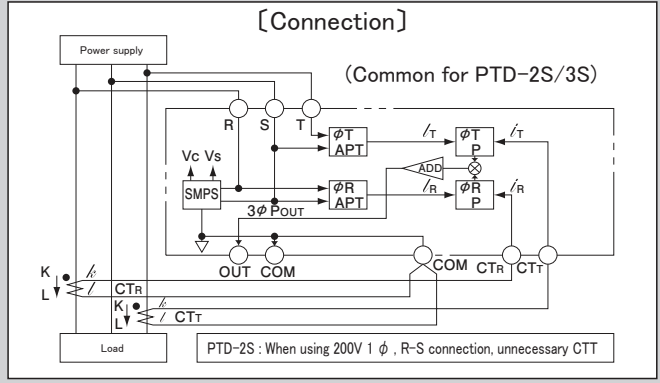
Model PTD-S series

- [Features]**
- Super compact design of business card case size build in super small size PT (Corresponding to DIN rail)
 - 0 ~ 5V output of true power RMS measurement (power supply isolation type)
 - Possible to mount established wire with combination of split type CT
 - Cover super wide range of power until 500kW max with combination of CT line up for PTD-S series
 - Separately selling applied CT and cable
 - In case of reversal phase between voltage and current, output to be negative (-) (Possible to measure reverse power flow)



Applied CT, rating power matrix

Applied CT model	PTD-1S	PTD-2S	PTD-3S
CTL-10CLS-4A/0.4V	5V / 300W	5V / 600W	5V / 1kW
CTL-10CLS-8A/0.4V	5V / 600W	5V / 1.2kW	5V / 2kW
CTL-16CLS-20A/0.4V	5V / 1.5kW	5V / 3kW	5V / 5kW
CTL-16CLS-40A/0.4V	5V / 3kW	5V / 6kW	5V / 10kW
CTL-16CLS-80A/0.4V	5V / 6kW	5V / 12kW	5V / 20kW
CTL-24CLS-200A/0.4V	5V / 15kW	5V / 30kW	5V / 50kW
CTL-36CLS-400A/0.4V	5V / 30kW	5V / 60kW	5V / 100kW
CTL-60CL-800A/0.4V	5V / 60kW	5V / 120kW	5V / 200kW
CTL-100CL-2000A/0.4V	5V / 150kW	5V / 300kW	5V / 500kW



Power measurement equipment

[Specification] Ta=25°C

Model	PTD-1S	PTD-2S	PTD-3S
Power supply circuit system and voltage	1φ 100V-2 wires type (50/60Hz)	1φ 200V-2 wires type (50/60Hz) 1φ 100V / 200V-3 wires type	3φ 200V-3 wires type (50/60Hz)
CT sensitivity adjustment	Choose applied CT (Refer applied CT, rating power matrix)		
Output voltage	0 ~ 5VDC / 0 ~ rating power		
Maximum measuring range	0 ~ 10VDC / 0 ~ 200% of rating power (but, not beyond continuous rating current of CT)		
Response time	0 → FS output stable time : 1.2 s		
Ripple voltage	Ripple voltage : 100mVp-p (typ)		
Overall accuracy	± 2%FS (50 / 60Hz sine wave current power factor 1)		
Withstand voltage	AC2000V(50/60Hz), 1min (Power supply terminal in a lump-output terminal in a lump)		
Insulation resistance	DC500V, ≥ 100MΩ (power supply terminal in a lump-output terminal in a lump)		
Operating temperature	-20°C ~ +50°C, ≤ 85%RH, no condensation		
Mounting system	Accessory of metal part for DIN rail mounting, mounting direction free		
Applied wire for terminal	to Power supply	AWG14 ~ 22/single or strand wire	
	to Current Sensor	AWG16 ~ 26/single or strand wire	
Mass	approximately 120g		