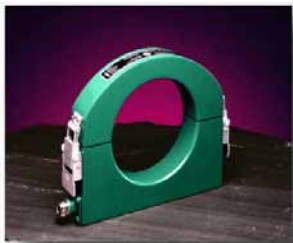
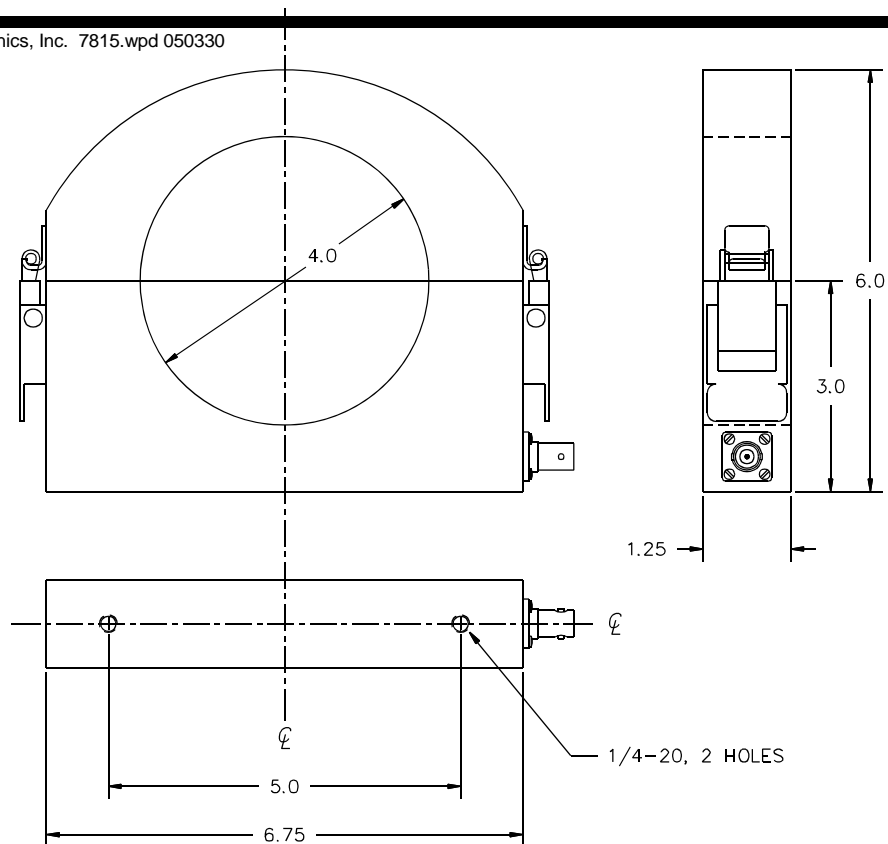


PEARSON™ CLAMP-ON CURRENT MONITOR MODEL 7815



Sensitivity	0.01 Volt/Ampere $\pm 1\%$
Output resistance	50 Ohms
Maximum peak current	50,000 Amperes
Maximum rms current	400 Amperes
Drop rate	1 %/millisecond
Useable rise time	200 nanoseconds
Current time product	3.0 Ampere-second maximum
Low frequency 3dB point	1.5 Hz (typical)
High frequency 3dB point	2.0 MHz (typical)
I/f figure	15.0 rms Amperes/Hz
Output connector	BNC (UG-290 A/U)
Operating temperature	0 to 65°C
Weight	6 pounds

© 2005 Pearson Electronics, Inc. 7815.wpd 050330



Pearson Electronics, Inc. • 4009 Transport Street • Palo Alto, CA 94303
Telephone 650-494-6444 • FAX 650-494-6716 • www.pearsonelectronics.com

擎崑實業有限公司 TOPE Co., Ltd. 23552 台北縣中和市中正路716號3樓之4 (遠東世紀廣場 L棟)
Tel: (02) 8228-0658 * Fax: (02) 8228-0659 * e-mail: tope@ms1.hinet.net * <http://www.sensor.tw>