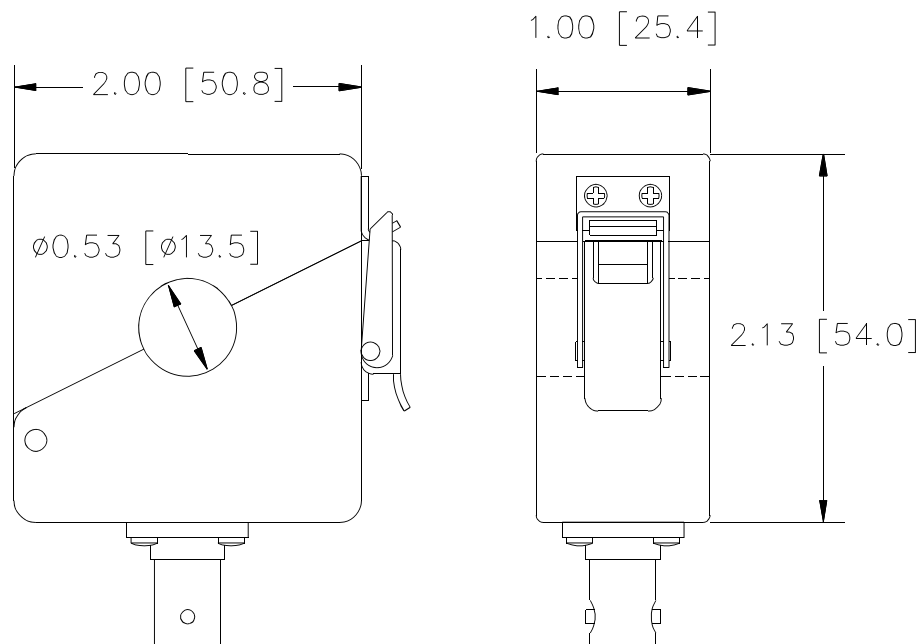


# PEARSON™ CURRENT MONITOR MODEL 8585C



Sensitivity	1 V/A $\pm 1\%$
Output resistance	50 $\Omega$
Maximum peak current	500 A
Maximum rms current	5 A
Droop rate	4.5 %/ $\mu$ s
Useable rise time	2 ns (approximate)
Current time product	3 mA·s maximum
Low frequency 3dB point	1500 Hz (approximate)
High frequency 3dB point	200 MHz (approximate)
I/f figure	0.01 A <sub>rms</sub> /Hz
Output connector	BNC (UG-290A/U)
Operating temperature	0 to 65 °C
Weight	13 oz (360 gm)

© 2005 Pearson Electronics 8585C.wpd 050404



Pearson Electronics, Inc. • 4009 Transport Street • Palo Alto, CA 94303  
Telephone 650-494-6444 • FAX 650-494-6716 • [www.pearsonelectronics.com](http://www.pearsonelectronics.com)

擎昱實業有限公司 23552 台北縣中和市中正路716號3樓之4 (遠東世紀廣場 L棟)  
Tope Co., Ltd. Tel: (02) 8228-0658 \* Fax: (02) 8228-0659 \* e-mail: [tope@ms1.hinet.net](mailto:tope@ms1.hinet.net) \* <http://www.sensor.tw>