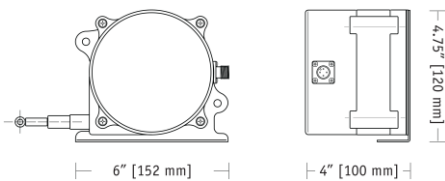




175-inch model shown



SR1A is a rugged, low-cost, high performance string pot built for wet environments and outdoor applications. Originally designed for off-road construction equipment, the SR1A is the perfect low-cost solution for OEM and stocking distributors.

Available in 62-inch, 125-inch and 175-inch stroke ranges, the SR1A is constructed of a rugged polycarbonate enclosure designed to withstand impact from harsh environments and rugged conditions. Each sensor ships with a handy mounting bracket to make just about any installation very simple. Every SR1A ships with a field installable mating connector and optional cordsets are available.

SR1A

Cable Actuated Sensor

Industrial • Voltage Divider Output

Precision Potentiometric (Voltage Divider) Output

0–62, 0–125 and 0–175 inch Range Options

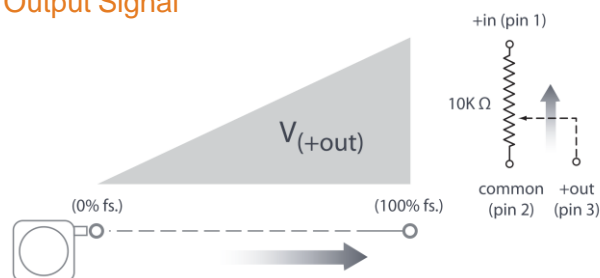
Designed for Outdoor & IP67 environments

In Stock for Quick Delivery!

Specifications

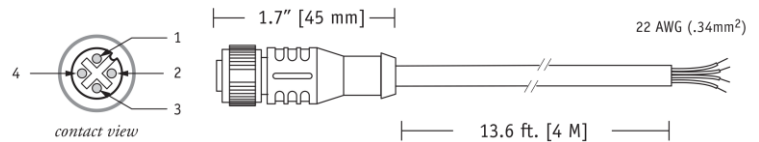
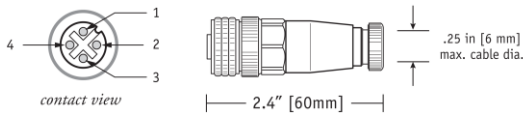
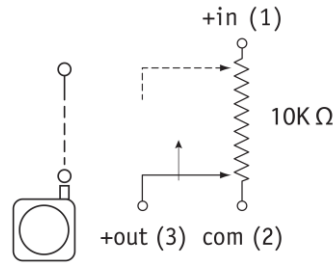
Measurement Range, SR1A-62	0–62 in. (0–1575 mm)
Measurement Range, SR1A-125	0–125 in. (0–3175 mm)
Measurement Range, SR1A-175	0–175 in. (0–4445 mm)
Accuracy	± 0.5% FS.
Sensor	plastic-hybrid precision potentiometer
Input Resistance	10K ohms
Maximum Input Voltage	30 volts AC/DC
Resolution	essentially infinite
Repeatability	± 0.1% FS.
Measuring Cable	.034-inch dia. nylon-coated stainless
Maximum Velocity	80 inches (2 meters) per second
Maximum Acceleration	10 g (retraction)
Measuring Cable Tension	23 oz. (6.4 N) ±30%
Cycle Life	250,000 (potentiometer)
Enclosure	Polycarbonate
Electrical Connection	M12 Connector (mating plug included)
Environmental Suitability	NEMA 6, IP67
Operating Temperature	-40° to 185° F (-40° to 85° C)
Weight	2.5 lbs. (1.3 Kg)

Output Signal

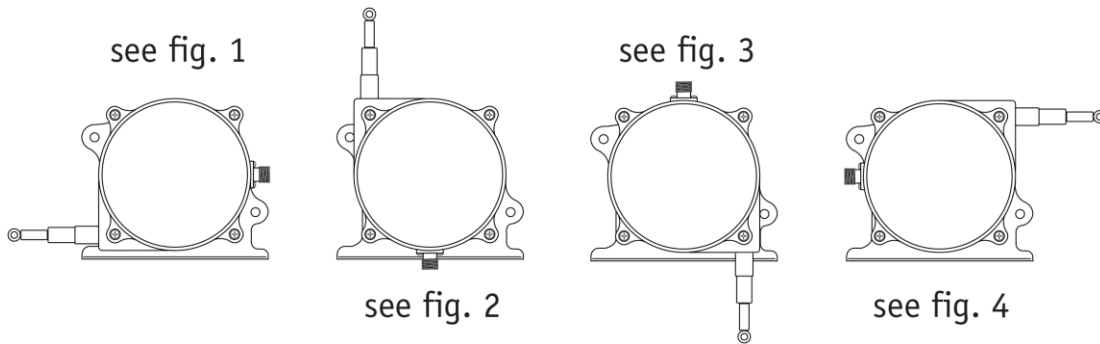


Electrical Connection

output signal	connector pin	colorcode (cordset)
+in	1	brown
common	2	white
+out	3	blue
n/c	4	black



Cable Exit Direction Options



Changing the Cable Exit

Changing Measuring Cable Exit

To change the direction of the measuring cable, remove the 4 mounting bracket screws and rotate bracket to one of four available positions. See figures 1 - 4 on the following pages for mounting dimensions.

Changing Electrical Connector Direction

To change the position of the electrical connector, remove the 4 rear cover screws and carefully separate rear cover from the sensor body.

Rotate the rear cover to desired position being careful to not tangle the wiring harness that runs to the connector.

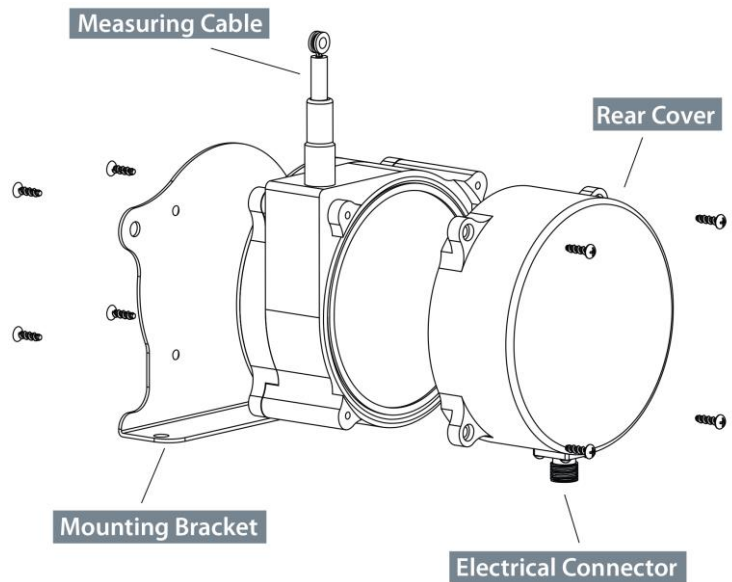


Fig. 1 - Outline Drawing (as shipped)

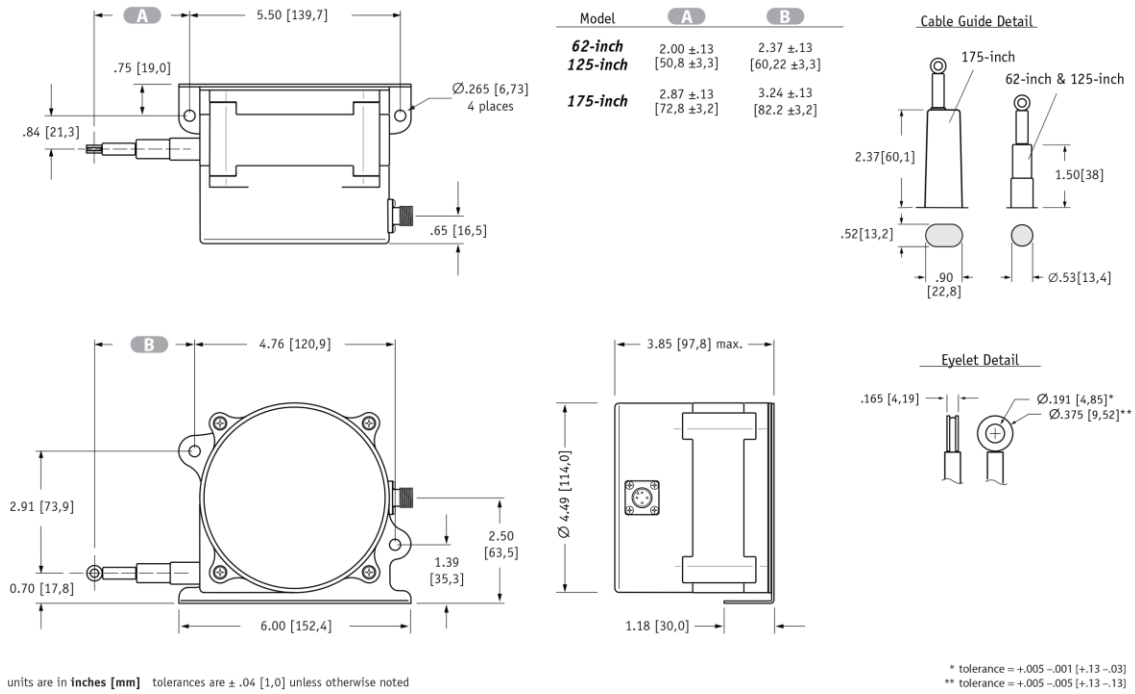


Fig. 2 - "Up" Cable Exit Direction

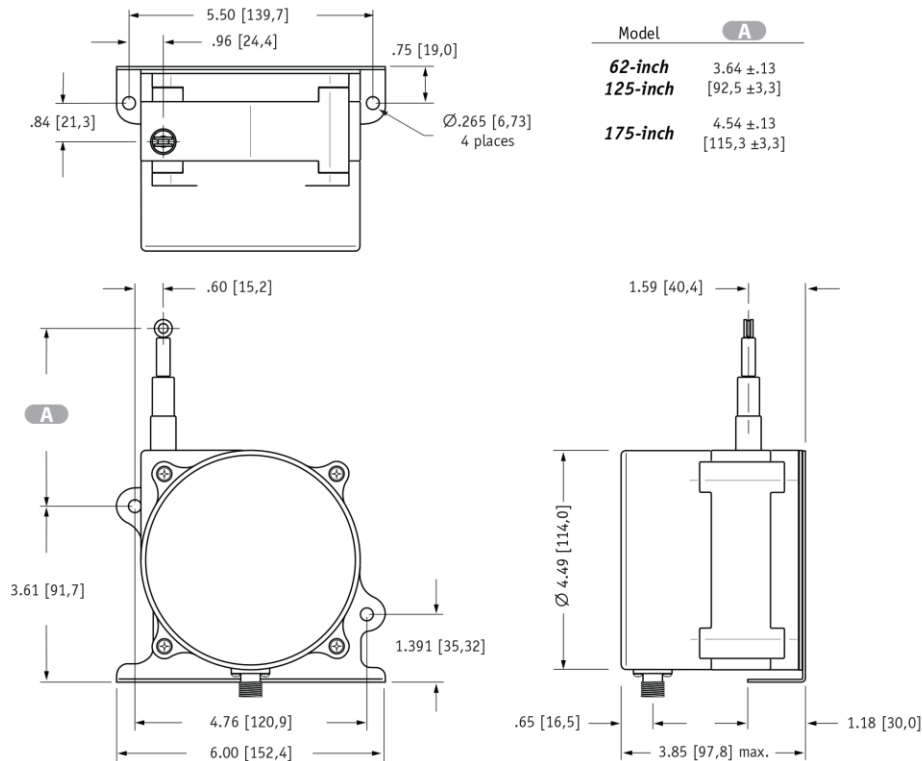


Fig. 3 - "Down" Cable Exit Direction

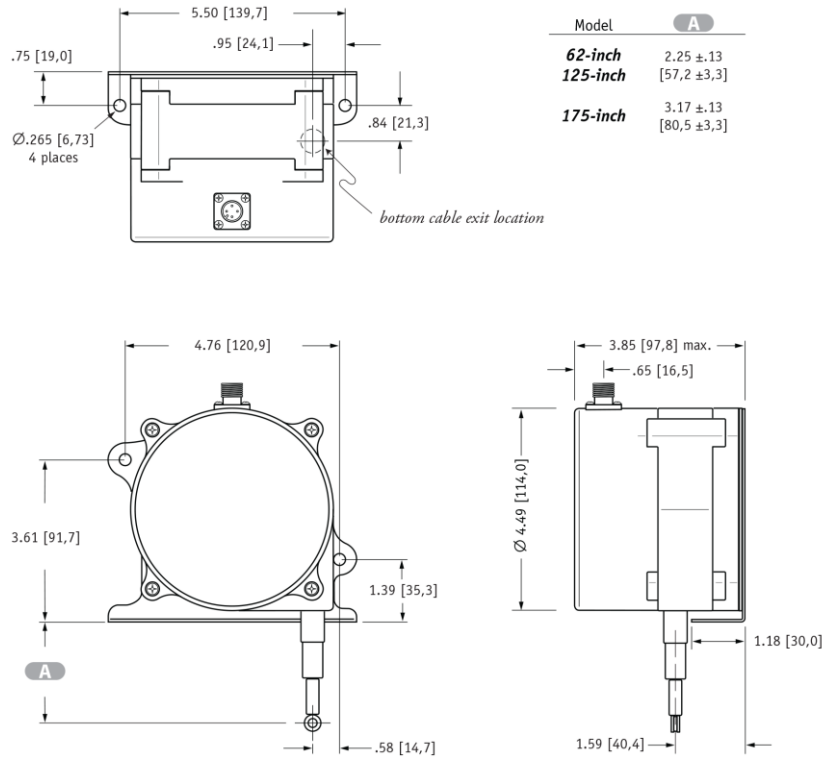
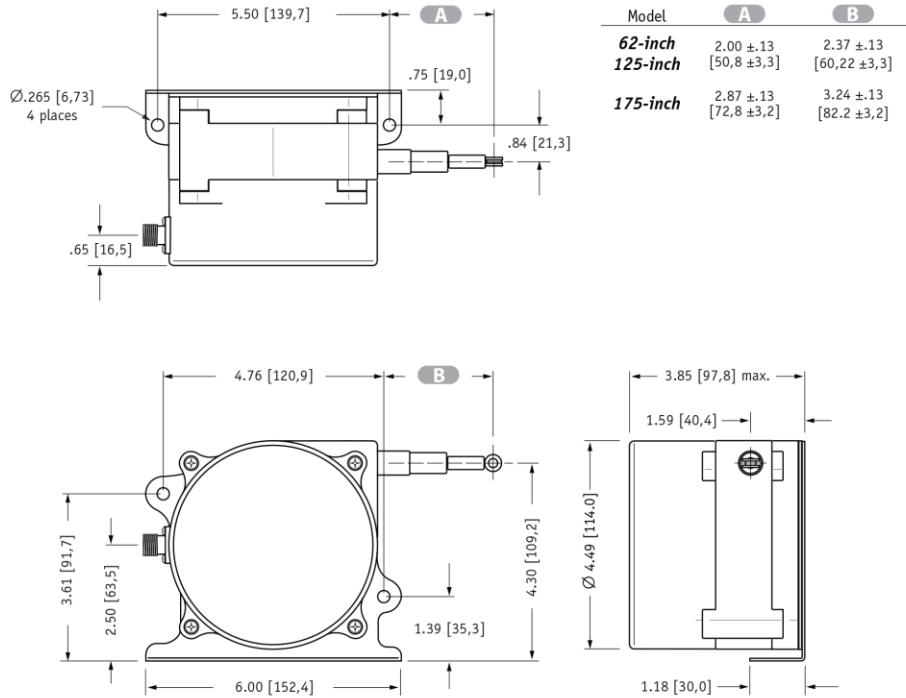


Fig. 4 - "Rear" Cable Exit Direction

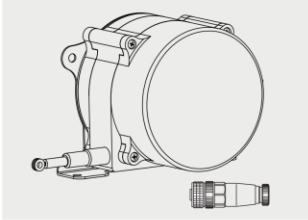


units are in inches [mm] tolerances are ± .04 [1,0] unless otherwise noted

SR1A

Industrial • Voltage Divider Output

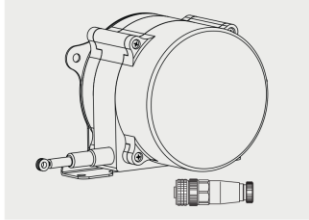
Ordering Information



Order No.

SR1A-62

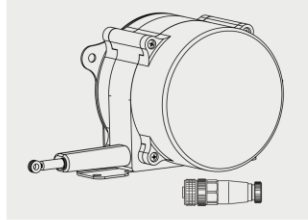
62-inch stroke range,
voltage divider output,
4-pin M12 mating plug &
mounting bracket included.



Order No.

SR1A-125

125-inch stroke range,
voltage divider output,
4-pin M12 mating plug &
mounting bracket included.



Order No.

SR1A-175

175-inch stroke range,
voltage divider output,
4-pin M12 mating plug &
mounting bracket included.

Part No.

9036810-0040



4-pin M12 x 13 ft (4 m)
22 AWG (.34mm²)

OPTIONAL CORDSET

*for short-run connections, a convenient
optional 13-ft. cordset with a 4-pin M12
connector is available.*

NORTH AMERICA

Measurement Specialties, Inc.,
a TE Connectivity company
20630 Plummer Street
Chatsworth, CA 91311
Tel +1 800 423 5483
Tel +1 818 701 2750
Fax +1 818 701 2799
info@celesco.com

TE.com/sensorsolutions

Measurement Specialties, Inc., a TE Connectivity company.

Measurement Specialties, TE Connectivity, TE Connectivity (logo) and EVERY CONNECTION COUNTS are trademarks. All other logos, products and/or company names referred to herein might be trademarks of their respective owners.

The information given herein, including drawings, illustrations and schematics which are intended for illustration purposes only, is believed to be reliable. However, TE Connectivity makes no warranties as to its accuracy or completeness and disclaims any liability in connection with its use. TE Connectivity's obligations shall only be as set forth in TE Connectivity's Standard Terms and Conditions of Sale for this product and in no case will TE Connectivity be liable for any incidental, indirect or consequential damages arising out of the sale, resale, use or misuse of the product. Users of TE Connectivity products should make their own evaluation to determine the suitability of each such product for the specific application.

© 2015 TE Connectivity Ltd. family of companies All Rights Reserved.

SR1A 12/01/2015